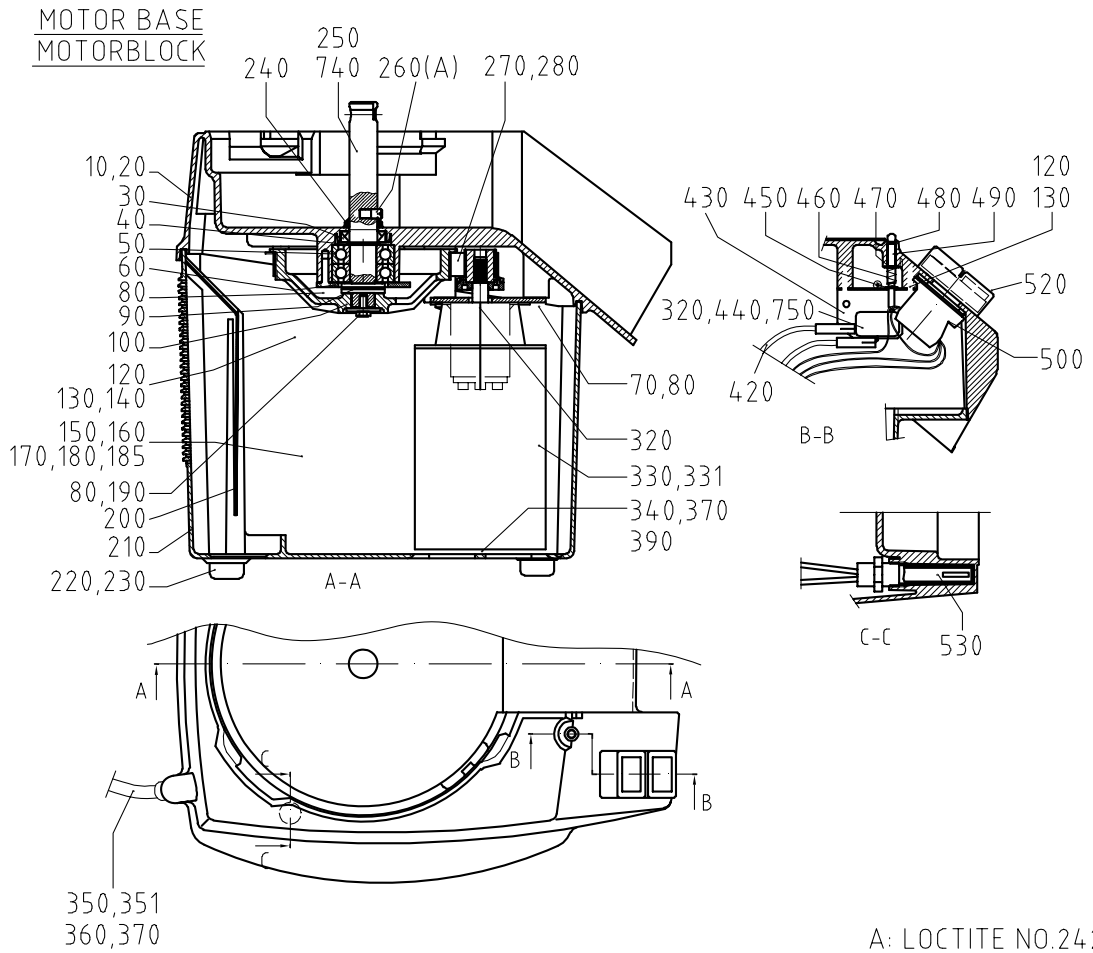


RG-50 Vegetable Preparation Machine

No. on drawing	Item No.	Spare Part	Reservdel	Incl.Pcs
10	24751	HOUSING, TOP	MASKINHUS, ÖVERDEL	1
20	14247	SCREW MKFX-H M5X16 A2-70	SKRUV MKFX-H M5X16 A2-70	4
30	10583	SEAL RING BASL FX7 NBR 18x30x7	TÄTN.RING BASL FX7 NBR 18X30X7	1
40	10258	LOCK RING 17	LÅSRING 17	1
50	10255	BALL BEARING 6203-2RS	KULLAGER 6203-2RS	2
60	24149	COVER, BEARING	LAGERLOCK	1
70	14344	SCREW M5x12	SKRUV ECO-FIX M5X12, A2	4
80	14852	SCREW FRH M5X10 TORX	SKRUV FRH M5X10 TORX	8
90	14907	PIN FRP 6X28 STEEL	PINNE FRP 6x28 STÅL	1
100	24154	PULLEY,KNIFE SHAFT	REMHJUL,KNIVAXEL	1
120	14851	SCREW MRT-TT M4x10 A2 DIN 7500	SKRUV MRT-TT M4x10 A2	2
130	14084	LOCK WASHER FBB 4.1 A2	BRICKA FJÄDER FBB 4.1 A2	2
150	1110	CABLE AWG L=130	KABEL AWG RÖD L130	1
160	24766	CABLE AWG L=290	KABEL AWG L290 RÖD FLH 6.3	2
170	24767	CABLE AWG L=290	KABEL AWG L290 VIT	1
180	24768	CABLE AWG L=130	KABEL AWG L130 RÖD	1
185	24769	CABLE AWG L=220	KABEL AWG L220 RÖD 6.3/4.8 FLH	1
190	14079	WASHER BRB 5,3X25X1,5 A2	BRICKA BRB 5,3X25X1,5 A2	1
200	24176	PROTECTION PLATE FOR LOVER	STÄNKPLÅT	1
210	24752	HOUSING, TOP	MASKINHUS, UNDERDEL	1
220	10494	RUBBER FOOT F-107 B	FOT,GUMMI M RFR BRICKA F-107 B	4
230	14333	SCREW MRX-H M4x12	SKRUV MRX-H M4X12 A2 70	4
240	10262	SEAL RING V-18S	TÄTNINGSRING V-18S	1
250	24158	KNIFE SHAFT	KNIVAXEL	1
260	24146	PIN, KNIFE SHAFT	MEDBRINGARSTIFT, KNIVAXEL	1
270	10624	BELT GT 3MR 0390 18	KUGGREM GT 3MR 0390 18	1
280	24773	PULLEY WHEEL COMPLETE	BRYTHJUL KOMPLETT	1
300	15703	RELAY SONG CHUAN 735 3A C3 230	RELÄ SONG CHUAN 735 3A C3 230V	1
300	15707	RELAY SONG CHUAN 735 3A C3 120	RELÄ SONG CHUAN 735 3A C3 120V	1
320	14611	SCREW RTK ST2.9x9.5 A2 70	SKRUV RTK ST2.9x9.5 A2 70	3
330	24753	MOTOR UNIT 110-120V 1 60Hz	MOTORENHET 110-120 60	1
331	24754	MOTOR UNIT 230V 1 50Hz	MOTORENHET 230 1 50	1
340	22212	VENT. NET	NÄT,FLÄKT VCM	1
350	24778	SUPPLY CORD 120V US	SLADDSTÄLL 120V US	1
351	24777	SUPPLY CORD 230V CE 1)	SLADDSTÄLL 230V CE 1)	1
360	10589	STRAIN RELIEF CLAMP 55-016-89	DRAGAVL.KLÄMMA 55-016-89	2
370	14337	SCREW MRX-H M4X25	SKRUV MRX-H M4x25 A2 70	2
380	14340	SCREW MCS M5x6 A2 70	SKRUV MCS M5x6 A2 70	4
390	14085	LOCK WASHER FBB 5,1 A2	BRICKA FJÄDER FBB 5.1 A2	4
430	24162	BRACKET,SAFETY SWITCH	FÄSTPLÅT,MIKROBRYT.	1
440	15694	MICRO SWITCH 83 160 7-N/C W3	MICROSWITCH 83 160 7-N/C-W3	1
450	10275	LOCKING WASHER RS 4	SPÄRRYTTARE RS 4	1
460	10581	SPRING SF-TRF 0,6X5X20	FJÄDER SF-TFR 0,6X5X20	1
470	14063	WASHER BRB 4.3X9X0.8 A2	BRICKA BRB 4.3x9x0.8 A2	1
480	10580	O-RING 3X1	O-RING 3X1	1
490	24163	ACTIVATOR PIN,SAFETY SWITCH	TRYCKSTÅNG,MIKROBRYT.	1
500	15704	CONTACT BLOCK	KONTAKTBLOCK ZB5 AZ105	1
520	15705	KNOB 0/1	VRED ZB5 AD5	1
530	15354	MAGNETIC SWITCH PR 15.2-AWG-AX	MAGNETBR. HM-PR 15.2-AWG-AX-200	1
600	24157	PESTLE HALLDE	STÖT HÄLLDE	1
610	83032	EJECTOR PLATE	UTMATARSKIVA	1
630	24177	SHAFT	AXEL	1
640	10593	LOCK WASHER RS7 A2	SPÄRRYTTARE RS7 A2	2
650	24171	FEED HEAD, DARK GREY, COMPL.	MATARINSATS, MÖRK GRÅ, KOMP	1
740	24111	KNIFE SHAFT COMPL.	KNIVAXEL KOMPLETT	1
750	24585	MICRO SWITCH UNIT COMPL.	MIKROBRYTARENHET KOMP. CROUZET	1

Drawing: Vegetable Preparation Machine RG-50



VEGETABLE PREPARATION ATTACHMENT
GRÖNSAKSSKARAR-TILLSATS

