

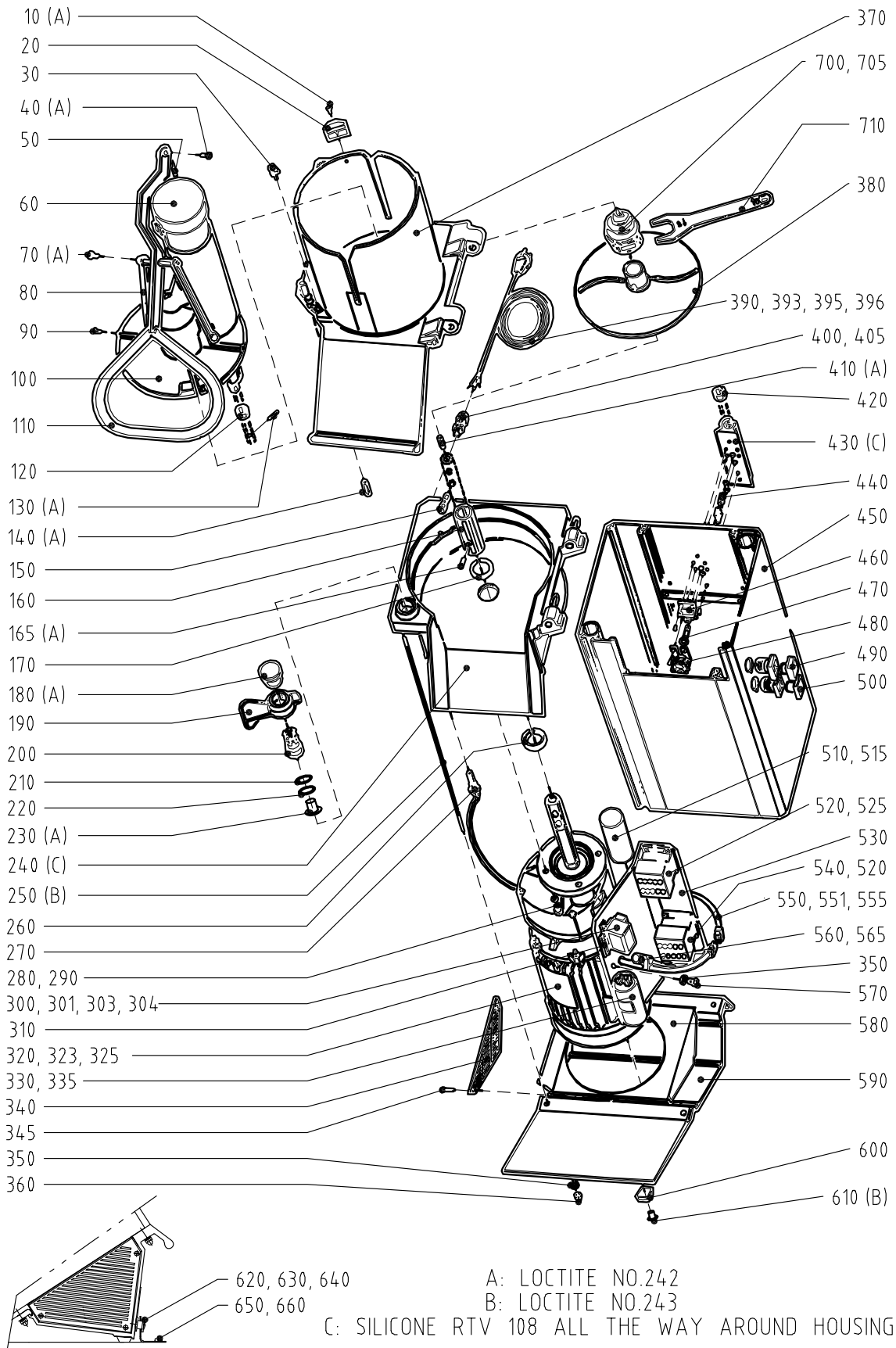
**RG-350 Vegetable Preparation Machine (earlier model)**

No. on drawing	Item No.	Spare Part	Reservdel	Incl.Pcs
10	14223	SCREW MKFS M4x10 A2 70	SKRUV MKFS M4x10 A2 70	1
20	40628	SUPPORT PLATE	STÖDPLATTA	1
30	40627	SLIDING WASHER	GLIDPLATTA PLAST	1
40*	40645	SHAFT SCREW (SHAFT)	ANSATSSKRUV (AXEL)	1
50*	40563	PUSHER SHAFT	AXEL	1
60	40554	PESTLE HALLDE	STÖT HÄLLDE	1
70*	40644	PUSHER PLATE SCREW	ANSATSSKRUV	4
80*	40565	PUSHER LINK	LÄNK	2
90*	40575	SLIDE KNOB	GLIDKUTS MATARKOLV	3
100*	40600	PUSHER PLATE	MATARPLATTA	1
110*	40564	PUSHER HANDLE	ARM	1
120*	40574	BUSHING 20.4/25X15	BUSSNING 20.4/25X15	2
130*	1054	PIN	MEDBRINGARSTIFT	1
140	10052	MAGNET DIA. 8X30	MAGNET DIA. 8X30	1
150	40548	CARRIER PIN	MEDBRINGARPINNE	1
160	40543	THRUST SLEEVE	HYLSA	1
165	3152	CARRIER PIN FOR EJECTOR PLATE	MEDBRINGARPINNE, UTMATARSKIVA	1
170	10311	SEAL RING V-35S	TÄTNINGSRING V-35S	1
180	40578	PLUG	TÄCKPROPP	1
190*	40535	LOCKING HANDLE	LÅSVRED	1
200*	40536	LOCKING SLEEVE	VRIDHYLSA	1
210	14069	WASHER BRB 8,4X24X2 A2 70	BRICKA BRB 8.4x24x2 A2 70	1
220	10296	CUP SPRING 18X8.2X0.7	BRICKFJÄDER 18X8.2X0.7	1
230	14542	SCREW M6S M8X16H A2 70	SKRUV M6S M8x16H A2 70	1
240	40540	KNIFE CHAMBER	KNIVHUS	1
250	40629	PIN SCREW SET	DRAGSTÅNGSSATS KOMPL.	1
260	10444	SEAL RING BASL 35X52X10	TÄTNINGSRING BASL 35X52X10	1
270	15354	MAGNETIC SWITCH PR15.2-AWG-AX	MAGNETBR. HM-PR15.2-AWG-AX-200	1
280	14086	LOCK WASHER FBB 6.1 A2	BRICKA FJÄDER FBB 6.1 A2	4
290	14525	SCREW M6S M6X20	SKRUV M6S M6x20H A2 70	4
300	15510	START RELAY MA0002RO LS 230V	STARTRELÄ MA0002RO LS 230V	1
301	40807	START RELAY KIT 230V	STARTRELÄSATS 230V ERSÄTTER KL	1
303	15503	START RELAY NO260 KLIXON 110V	STARTRELÄ KLIX.260 110V	1
304	40814	START RELAY KIT 110V	STARTRELÄSATS 110V ERSÄTTER KL	1
310	15384	FUSE T100MA	SÄKRING T100MA	1
320	15490	MOTOR CB1701-4SB5 110-120 1 60	MOTOR Cb1701-4SB5 110-120 1 60	1
323	15491	MOTOR CB1701-4SB5 220-240 1 50	MOTOR Cb1701-4SB5 220-240 1 50	1
325	15492	MOTOR CB1701-4SB5 400 3 50	MOTOR Cb1701 208-400 3 50/60	1
330	15502	CAPACITOR,START 193MICROF 110V	KONDENSATOR,START 193mF, 110V	1
335	15499	CAPACITOR,START 80MICROF 230V	KONDENSATOR,START 80mF,230V	1
340	1096	LOUVER KIT	GAVELSATS KOMPL.	1
345	14661	SCREW KFSS ST3.5X9.5 A2 70	SKRUV KFSS ST3.5x9.5 A2 70	6
350	14085	LOCK WASHER FBB 5,1 A2	BRICKA FJÄDER FBB 5.1 A2	6
360	1267	NUT,DOMED HEAD M5	MUTTER M5 TILL DRAGSTÅNG	4
370	40597	FEED CYLINDER COMPL.	MATARCYLINDER KOMPL.	1
380	3086	EJECTOR PLATE	UTMATARSKIVA	1
390	15370	SUPPLY CORD 403835-HM EUR	SLADDSTÄLL	1
393	15377	SUPPLY CORD BS/2.5mS UK	SLADDSTÄLL BS/2.5mS UK	1
395	15208	SUPPLY CORD SJT3X14 AWG, US	SLADDSTÄLL SJT3X14 AWG (UL)	1
396	22161	SUPPLY CORD 3 PHASE	ANSLUTNINGSKABEL 3 FAS	1
400	15480	CABLE RETAIN. MET. PR18.6 DIA9	DRAGAVLASTARE MET.PR18.6 DIA9	1
405	15483	CABLE RETAINER MET.PR15.2 DIA1	DRAGAVLASTARE MET.PR15.2 DIA10	1
410	14844	LOCKING SCREW PSS M8X12 A2 70	SKRUV LÅS PSS M8x12 A2 70	1
420	40680	BUSHING	BUSSNING AXELFÄSTE	2
430	40637	BRACKET INCL SCREWS	AXELFÄSTE INKL BUSSN SKRUV	1
440	40638	ACTIVATOR PIN SHORT COMPL.	TRYCKSTÅNG KORT KOMPL.	1
450	40567	HOUSING ASSEMBLY COMPL.	MASKINHUS KOMPL.	1
460	40640	MICROSWITCH UNIT SINGLE COMPL.	MIKROBRYTARENH ENKEL KOMPL.	1
470	40639	ACTIVATOR PIN LONG COMPL	TRYCKSTÅNG LÅNG KOMPL.	1

**RG-350 Vegetable Preparation Machine (earlier model)**

No. on drawing	Item No.	Spare Part	Reservdel	Incl.Pcs
480	40641	MICROSWITCH UNIT DOUBLE COMPL.	MIKROBRYTARENH DUBBEL KOMPL.	1
490	15657	PUSH BUTTON 0 COMPL	TRYCKKNAPP 0, KOMPL.	1
500	15655	PUSH BUTTON I, COMPLETE	TRYCKKNAPP I, KOMPL.	1
510	15501	CAPACITOR,RUN 80MICROF.110V	KONDENSATOR,DRIFT 80mik.F 110V	1
515	15498	CAPACITOR 20 MF, 230V	KONDENSATOR 20 MF, 230V	1
520	15523	CONTACTOR LC1-K0610U7 230-240V	KONTAKTOR LC1-K0610U7 230-240V	2
525	15663	CONTACTOR LC1-D12F7 110V 50/60	KONTAKTOR LC1-D12F7 110V 50/60	
530	40632	PANEL INCL FASTENERS	EL-PLÅT INKL FÄSTDETALJER	1
540	15521	CONT.LC1-K0610F7 110V 50/60	KONT.LC1-K0610F7 110V 50/60	1
550	40787	WIRING LOOM, LS-RELAY	KABELSATS LS-RELÄ	1
551	40634	WIRING LOOM (KLIXON)	KABELSATS (KLIXON)	1
555	40800	WIRING LOOM 3-PHASE	KABELSATS 3-FAS	1
560	15132	RC-CIRCUIT B3-110 110V	RC-KRETS B3-110 110V	1
565	15133	RC-CIRCUIT B3-220 220V	RC-KRETS B3-220 220V	1
570	14339	SCREW MRX-H M5x12 A2 70	SKRUV MRX-H M5x12 A2 70	2
580	40547	FAN PLATE	FLÄKTPLÅT	1
590	40622	BASE	FOTPLATTA KOMPL.	1
600	10507	FOOT,RUBBER BVO 22H10	FOT,GUMMI BVO 22H10	4
610	40786	SCREW FOR RUBBERFOOT	SKRUV FÖR GUMMIFOT	4
620	10497	BUSHING PLASTIC 05-6-1-7.5	BUSSNING PLAST 05-6-10-7.5	1
630	10498	WASHER PLASTIC 32-6	BRICKA PLAST 32-6	2
640	14465	SCREW LSXS M6X20 A2 70	SKRUV LSXS M6X20 A2 70	1
650	40780	BRACKET	FÄSTVINKEL	1
660	14990	SCREW CSS 4.8X25 A2	SKRUV CSS 4.8X25 A2	2
700	3129	DECORDING DEVICE 3PH COMPL.	KÅLSKRUV 3-FAS KOMPL.	1
705	40636	DECORDING DEVICE 1PH COMPL.	KÅLSKRUV 1-FAS KOMPL.	1
710	3162	WRENCH	NYCKEL TILL KÅLSKRUV	1
* 40,50,70-130	40690	PUSHER, COMPLETE	MATARKOLV RG350 KOMPL	1
* 190,200	40812	LOOKING HANDLE WITH SLEEVE	LÅSVRED MED VRIDHYLSA	1

**Drawing: Vegetable Preparation Machine RG-350 (earlier model)**



### RG-350 – Feed Hopper (earlier model)

No. on drawing	Item No.	Spare Part	Reservdel	Incl.Pcs
10	40613	HOPPER RG/FP-350	TRATT	1
20	10496	LOBE KNOB 153/54 B-M8	STJÄRNVRED 153/54 B-M8	1
30	40663	SCREW	SKRUV	1
40	40675	BUSHING	BUSSNING	2
50	40576	SHAFT	AXEL	1
60	10343	HANDLE I280/65-M8	HANDTAG I280/65-M8	1
70	3149	STUD SCREW	PINNSKRUV	1
80	1054	PIN	MEDBRINGARSTIFT	1
90	40676	SLEEVE	HYLSA	1

### Drawing: Vegetable Preparation Machine RG-350 Feed Hopper (earlier model)

