

CC-32 Combi Cutter (CC-line)

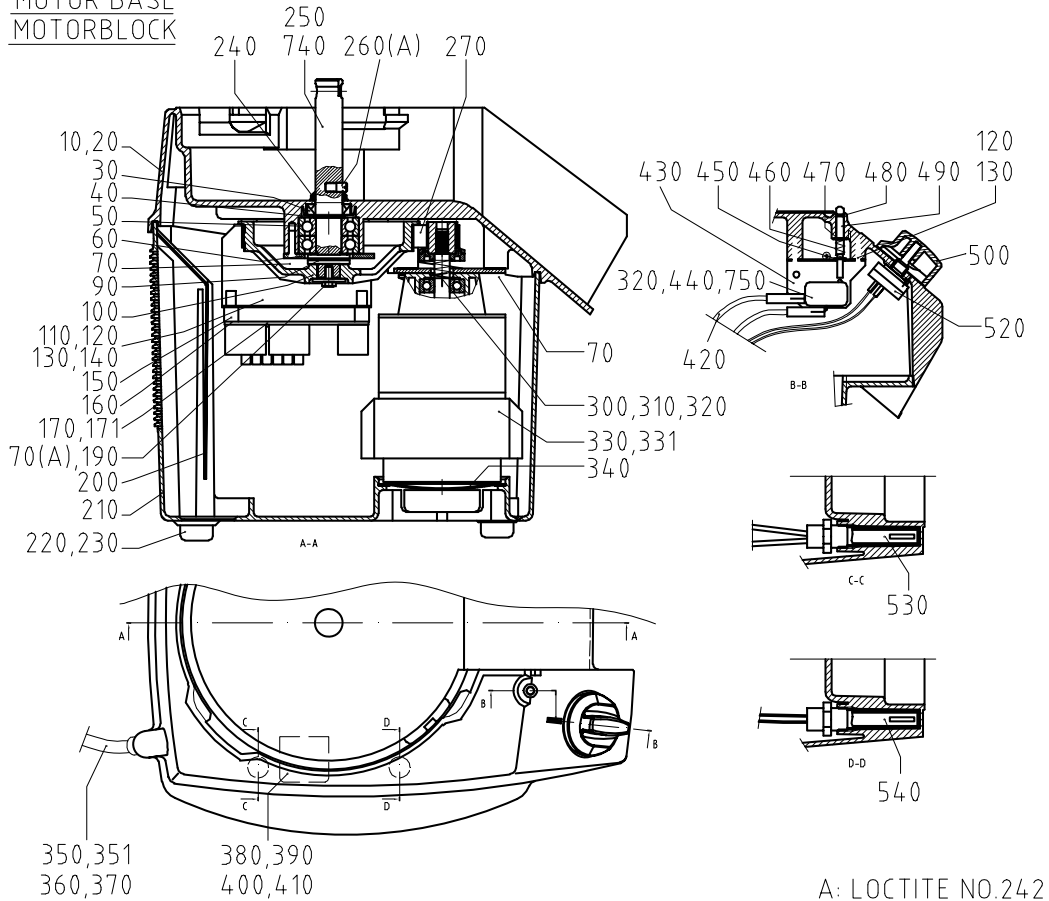
No. on drawing	Item No.	Spare Part	Reservdel	Incl.Pcs
10	24159	HOUSING, TOP	MASKINHUS, ÖVERDEL	1
20	14247	SCREW MKFX-H M5X16 A2-70	SKRUV MKFX-H M5X16 A2-70	4
30	10583	SEAL RING BASL FX7 NBR 18x30x7	TÄTN.RING BASL FX7 NBR 18X30X7	1
40	10258	LOCK RING 17	LÅSRING 17	1
50	10255	BALL BEARING 6203-2RS	KULLAGER 6203-2RS	2
60	24149	COVER, BEARING	LAGERLOCK	1
70	14850	SCREW FRH-TAPTITE M5X12 TORX	SKRUV K6SF A2 M5X12 vax	8
90	14907	PIN FRP 6X28 STEEL	PINNE FRP 6x28 STÅL	1
100	24154	PULLEY,KNIFE SHAFT	REMHJUL,KNIVAXEL	1
110	24161	EL-PLATE	EL-PLÅT	1
120	14332	SCREW MRX-H M4x10 A2 70	SKRUV MRX-H M4x10 A2 70	8
130	14084	LOCK WASHER FBB 4.1 A2	BRICKA FJÄDER FBB 4.1 A2	2
140	24193	CABLEAWG 16 G/Y L=100	KABEL AWG 16 G/G L=100 FL+RING	1
150	10588	STAND OFF EG-6-01	DISTANS, KORT EG-6-01	5
160	14730	SCREW RXXH 4.2X16 A2	SKRUV RXXH 4.2X16 A2	5
170	24256	PC-BOARD 120V 60HZ	STYRKORT 120V 60HZ	1
171	24257	PC-BOARD 220-240,50/60	STYRKORT 220-240,50/60	1
190	14079	WASHER BRB 5,3X25X1,5 A2	BRICKA BRB 5,3X25X1,5 A2	1
200	24176	PROTECTION PLATE FOR LOVER	STÄNKPLÅT	1
210	24160	HOSING, BASE	MASKINHUS, UNDERDEL	1
220	10494	RUBER FOOT F-107 B	FOT,GUMMI M RFR BRICKA F-107 B	4
230	14333	SCREW MRX-H M4X12 A2 70	SKRUV MRX-H M4X12 A2 70	4
240	10262	SEAL RING V-18S	TÄTNINGSRING V-18S	1
250	24158	KNIFE SHAFT	KNIVAXEL	1
260	24146	PIN, KNIFE SHAFT	MEDBRINGARSTIFT, KNIVAXEL	1
270	10624	BELT GT 3MR 0390 18	KUGGREM GT 3MR 0390 18	1
300	23162	BRACKET FOR CHOKE	DROSSELFÄSTE	1
310	23176	CHOKE COMPL.	DROSSEL KOMPL.	1
320	14613	SCREW RTK ST2.9X16 A2 70	SKRUV RTK ST2.9x16 A2 70	3
330	24582	MOTOR UNIT 110-120 1 50/60	MOTORENHET 110-120 1 50/60	1
331	24583	MOTOR UNIT 20-240 1 50/60	MOTORENHET 220-240 1 50/60	1
340	24139	NET, AIR INLET	NÄT, INSUG	1
350	24211	SUPPLY CORD 120V US	SLADDSTÄLL 120V US	1
351	24210	SUPPLY CORD 230V CE (1)	SLADDSTÄLL 230V CE (1)	1
360	10589	STRAIN RELIEF CLAMP 55-016-89	DRAGAVL.KLÄMMA 55-016-89	1
370	14336	SCREW MRT-H M4X25 A2 70	SKRUV MRT-H M4x25 A2 70	2
380	15559	EMC-P.L.FILTER FN2020-10-06	EMC-FILTER FN2020-10-06	1
390	14639	SCREW RTK ST4,2X9,5 FZB	SKRUV RTK ST4.2x9.5 FZB	2
400	40624	CABLE AWG 16 L=300 BLUE	KABEL AWG 16L=300 BLÅ	1
410	24195	CABLE AWG 16 L=300 BROWN FL6,3	KABEL AWG 16 L=300 BRUN FL6,3X2	1
420	24196	CABLE AWG 18 L=200 RED FL6.3X2	KABEL AWG 18 L=200 RÖD FL6,3X2	2
430	24162	BRACKET,SAFETY SWITCH	FÄSTPLÅT,MIKROBRYT.	1
440	15694	MICRO SWITCH 83 160 7-N/C W3	MICROSWITCH 83 160 7-N/C-W3	1
450	10275	LOCKING WASHER RS 4	SPÄRRYTTARE RS 4	1
460	10581	SPRING SF-TRF 0,6X5X20	FJÄDER SF-TFR 0,6X5X20	1
470	14063	WASHER BRB 4.3X9X0.8 A2	BRICKA BRB 4.3x9x0.8 A2	1
480	10580	O-RING 3X1	O-RING 3X1	1
490	24163	ACTIVATOR PIN,SAFETY SWITCH	TRYCKSTÅNG,MIKROBRYT.	1
500	24222	KNOB 0-1 W. BLADE SPRING	VRED 0-I M. BLADFJÄDER	1
520	24221	ROTARY SWITCH W. WIRING/NUT	STRÖMSTÄLLARE,0-I	1
530	24586	MAGNETIC SWITCH, SAFETY	MAGNETBRYTARE,SÄKERHET	1
540	24175	MAGNETIC SWITCH, SPEED CONTROL	MAGNETBRYTARE,HASTIGHET	1
600	24157	PESTLE HALLDE	STÖT HÄLLDE	1
610	83032	EJECTOR PLATE	UTMATARSKIVA	1
630	24177	SHAFT	AXEL	1
640	10593	LOCK WASHER RS7 A2	SPÄRRYTTARE RS7 A2	2
650	24628	FEED HEAD, LIGHT GREY, COMPL.	MATARINSATS, LJUSGRÅ, KOMPL	1
690	24133	SEAL RING DIA.5	TÄTNINGSRING DIA.5	1
700	24151	BOWL 3L	KÄRL 3L	1

CC-32 Combi Cutter (CC-line)

No. on drawing	Item No.	Spare Part	Reservdel	Incl.Pcs
710	24153	KNIFE HEAD	KNIVHUVUD	1
720	24172	LID	LOCK	1
740	24111	KNIFE SHAFT COMPL.	KNIVAXEL KOMPLETT	1
750	24585	MICRO SWITCH UNIT COMPL.	MICROBRYTARENHET KOMP. CROUZET	1

Drawing: Combi Cutter CC-32

MOTOR BASE MOTORBLOCK



CUTTER/MIXER BOWL ATTACHMENT SNABBHACKS-TILLSATS

VEGETABLE PREPARATION ATTACHMENT GRÖNSAKSSKARAR-TILLSATS

