

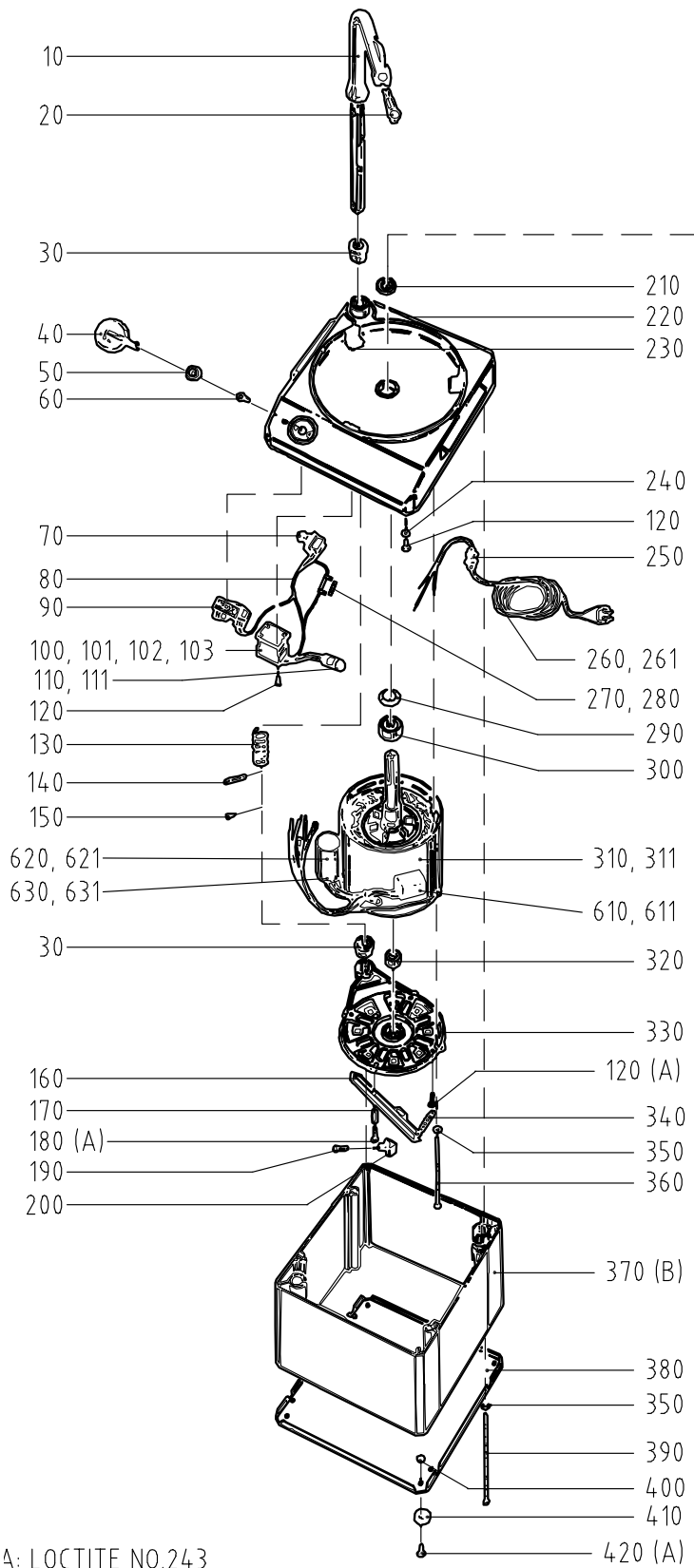
VCM-41 Vertical Cutter Mixer

No. on drawing	Item No.	Spare Part	Reservdel	Incl.Pcs
10	22034	SAFETY ARM	SÄKERHETSARM	1
20	22068	MAGNETIC SWITCH HM-17	MAGNETBRYTARE HM-17	1
30	22064	BUSHING, SAFETY ARM	BUSSNING, SÄKERHETSARM	2
40	22091	TWIST KNOB PULSE 0-I	VRED PULS 0-I	1
50	10384	SEAL WASHER V-10A	TÄTNINGSRING V-10A	1
60	14131	SCREW MFX-H M4X16	SKRUV MFX-H M4X16	2
70	15446	SAFETY MICRO SWITCH BVMFULS TP	MICROBRYTARE BVMFULS TP2829MSG	1
80	22085	WIRE HARNESS AWG COMPL.	KABELSATS AWG KOMPL.	1
90	22066	SELECTING SWITCH 4CH	OMKOPPLARE DREEFS 4CH	1
100	15663	CONTACTOR LC1-D12F7 110V 50/60	KONTAKTOR LC1-D12F7 110V 50/60	1
101	15522	CONTACTOR LC1-K0610M7 220-230V	KONTAKTOR LC1-K0610M7 220-230V	1
102	15523	CONTACTOR LC1-K0610U7 230-240V	KONTAKTOR LC1-K0610U7 230-240V	1
110	15132	RC-CIRCUIT B3-110 110V	RC-KRETS B3-110 110V	1
111	15133	RC-CIRCUIT B3-220 220V	RC-KRETS B3-220 220V	1
120	14332	SCREW MRX-H M4x10 A2 70	SKRUV MRX-H M4x10 A2 70	5
130	22062	PRESSURE SPRING	FJÄDER, TRYCK	1
140	22049	PIN	STOPPINNE	1
150	14771	SCREW RXK-H ST 4,2X9,5 FZB	SKRUV RXK-H ST 4,2X9,5 FZB	1
160	22071	BRAKE DEVICE L=165	BROMSARM L=165	1
170	22063	SLEEVE	RÖRHYLSA	1
180	14337	SCREW MRX-H M4x25 A2 70	SKRUV MRX-H M4x25 A2 70	2
190	14754	SCREW RX-TP 6-19X20 FZB	SKRUV RX-PT 6-19X20 FZB	1
200	22501	CAM KNOB, LOW	KAMNOCK, LÅG	1
210	10450	SEAL WASHER BAUD2SL 25X35X7	TÄTNINGSRING BAUD2SL 25X35X7	1
220	22051	TOP COVER	TOPPLATTA	1
230	22043	BUFFER	BUFFERT	3
240	14084	LOCK WASHER FBB 4.1 A2	BRICKA FJÄDER FBB 4.1 A2	3
250	15636	CABLE RETAINER PR 15,2 METAL D	DRAGAVLASTARE MET. PR 15,5 D=6	1
260	15370	SUPPLY CORD 403835-HM EUR	SLADDSTÄLL	1
261	15208	SUPPLY CORD SJT3X14 AWG, US	SLADDSTÄLL SJT3X14 AWG (UL)	1
270	15384	FUSE T100MA	SÄKRING T100MA	1
280	15385	FUSE HOLDER	SÄKRINGSHÅLLARE	1
290	10373	PRE LOAD WASHER 46X38X0,4	BRICKA VÅG 46X38X0,4	1
300	10420	BALL BEARING 6005-2RS1	KULLAGER 6005-2RS1	1
310	15460	MOTOR 100-120 1 50/60 550	MOTOR 100-120 1 50/60 550	1
311	15461	MOTOR 220-240 1 50/60 550	MOTOR 220-240 1 50/60 550	1
320	10421	BALL BEARING 6003-2RS	KULLAGER 6003-2RS	1
330	22057	MOTOR SHIELD	MOTORGAVEL CROMPT	1
340	22457	DRAW SPRING	FJÄDER, DRAG	1
350	14085	LOCK WASHER FBB 5.1 A2	BRICKA FJÄDER FBB 5.1 A2	8
360	22055	SCREW, MOTOR M5X156	SKRUV, MOTOR M5X156	4
370	22040	MACHINE HOUSING COMPL.	MASKINHUS KOMPL.	1
380	22042	PROTECTION PLATE	BOTTENPLÅT	1
390	22054	SCREW, HOUSING M5X175	SKRUV, CHASSI M5X175	4
400	14005	NUT M6M M4	MUTTER M6M M4	4
410	10494	RUBBER FOOT F-107 B	FOT,GUMMI M RFR BRICKA F-107 B	4
420	14424	SCREW LSKS M4X12 A2 70	SKRUV LSKS M4x12 A2 70	4
450	22060	KNIFE HEAD	KNIVHUVUD MED BYGEL	1
460	22067	SPACER, KNIFE	DISTANS, KNIV	3
490	14154	SCREW MFS M5X35	SKRUV MFS M5x35 A2 70	4
530	22426	LID FOR BOWL, PSU-4L	LOCK, PSU-4L	1
540	22427	SCRAPER FOR BOWL PSU 4L	AVSKRAPARRING, PSU-4L	1
550	22391	KNIFE-UPPER, SERRATED-4L	KNIV-ÖVER, TANDAD-4L	1
560	22392	KNIFE-LOWER, SERRATED	KNIV-UNDER, TANDAD & FÖRSÄNKT-	1
570	22053	BOWL 4L	KÄRL 4L	1
590	22390	STANDARD KNIFE FOR BOWL 4L	STANDARDKNIV FÖR KÄRL 4 L.	1
610	15504	STARTING RELAY, SINPAC, 120V	STARTRELÄ, SINPAC, 120V	1
611	15625	STARTING RELAY, KLIXON, 230V	STARTRELÄ,2CR3-204KLIXON, 230V	1
620	15570	START CAPACITOR 350 MF 120V	STARTKONDENSATOR 350 MF 120V	1

VCM-41 Vertical Cutter Mixer

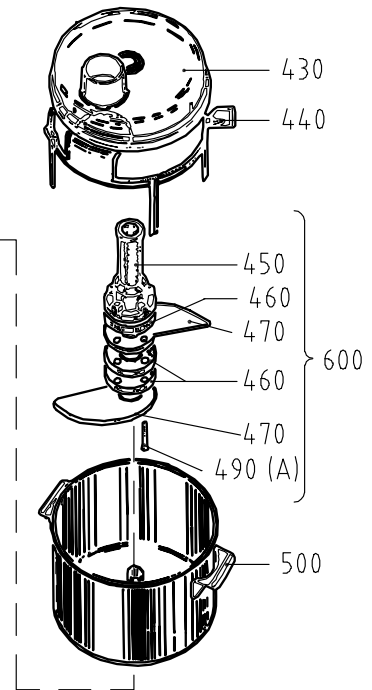
No. on drawing	Item No.	Spare Part	Reservdel	Incl.Pcs
621	15571	RUN CAPACITOR 50 MF 120V	DRIFTKONDENSATOR 50 MF 120V	1
630	15581	START CAPACITOR 100 MF 230V	STARTKONDENSATOR 100 MF 230V	1
631	15582	RUN CAPACITOR 15 MF 230V	DRIFTKONDENSATOR 15 MF 230V	1

Drawing: Vertical Cutter Mixer VCM-41/42 and VCM-61/62



A: LOCTITE NO.243
 3: SILICONE RTV 108 ALL THE WAY AROUND HOUSING

6 L BOWL FOR VCM-61/62
 6 L KÄRL FÖR VCM-61/62



4 L BOWL FOR VCM-41/42
 OPTIONAL FOR VCM-61/62
 4 L KÄRL FÖR VCM-41/42
 TILLBEHÖR FÖR VCM-61/62

