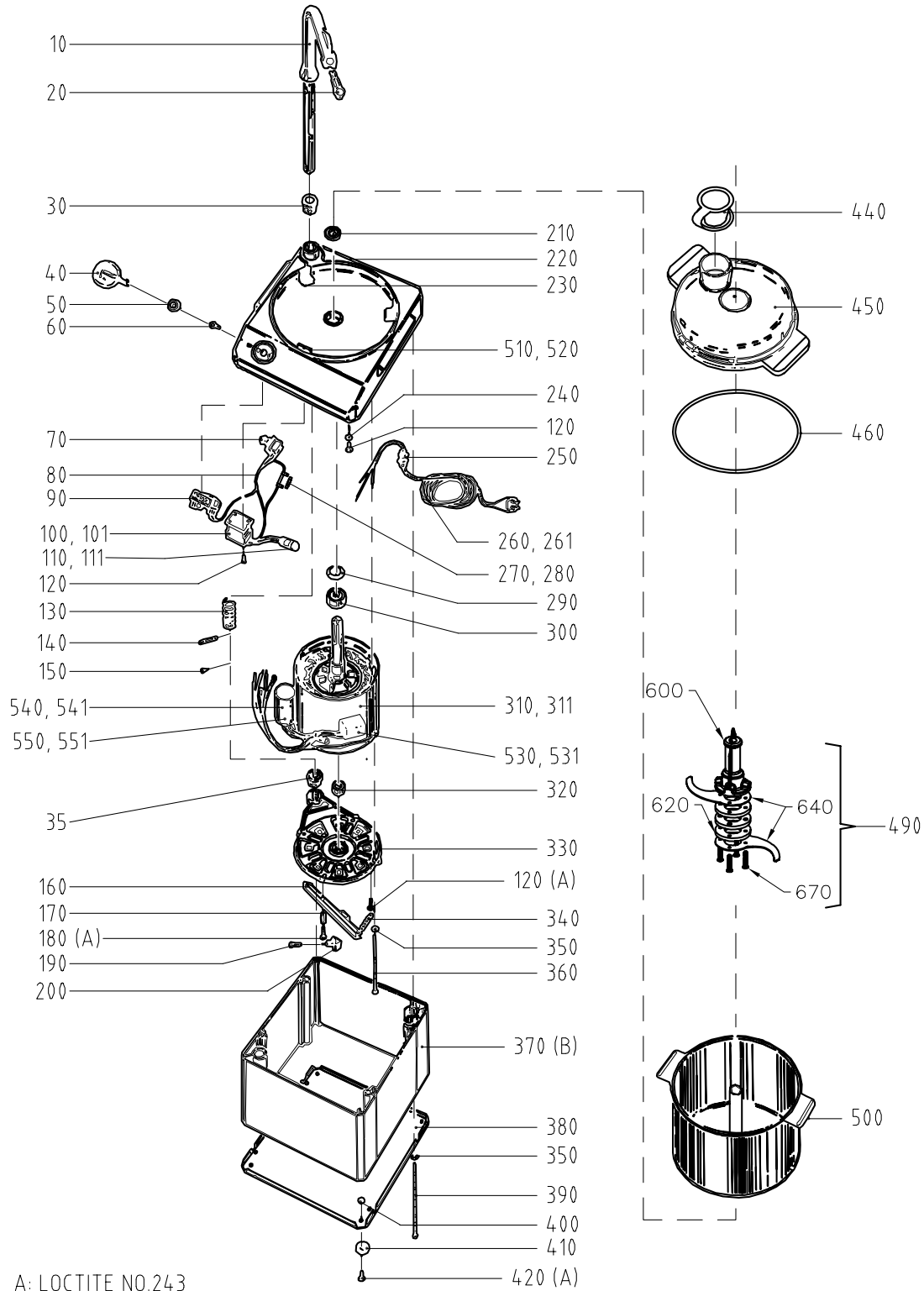


**VCS-62 Vertical Cutter Mixer**

No. on drawing	Item No.	Spare Part	Reservdel	Incl.Pcs
10	22133	SAFETY ARM	SÄKERHETSARM	1
20	22068	MAGNETIC SWITCH HM-17	MAGNETBRYTARE HM-17	1
30	22470	BUSHING, SAFETY ARM, UPPER	BUSSNING, SÄKERHETSARM, ÖVRE	1
35	22064	BUSHING, SAFETY ARM	BUSSNING, SÄKERHETSARM	1
40	22092	TWIST KNOB PULSE 0-II	VRED PULSE-0-II	1
50	10384	SEAL WASHER V-10A	TÄTNINGSRING V-10A	1
60	14131	SCREW MFX-H M4X16	SKRUV MFX-H M4X16	2
70	15446	SAFETY MICRO SWITCH BVMFULS TP	MICROBRYTARE BVMFULS TP2829MSG	1
80	22187	WIRE HARNESS AWG 3 PHASE	KABELSTAM AWG 3-FAS	1
90	22163	SELECTING SWITCH 10CH	OMKOPPLARE DREEFS 10CH FP62	1
100	15522	CONTACTOR LC1-K0610M7 220-230V	KONTAKTOR LC1-K0610M7 220-230V	1
101	15523	CONTACTOR LC1-K0610U7 230-240V	KONTAKTOR LC1-K0610U7 230-240V	1
102	15524	CONTACTOR LC1-K0610Q7 380-400V	KONTAKTOR LC1-K0610Q7 380-400V	1
103	15525	CONTACTOR LC1-K0610N7 400-415V	KONTAKTOR LC1-K0610N7 400-415V	1
110	15133	RC-CIRCUIT B3-220 220V	RC-KRETS B3-220 220V	1
120	14332	SCREW MRX-H M4x10 A2 70	SKRUV MRX-H M4x10 A2 70	5
130	22456	PRESSURE SPRING	FJÄDER, TRYCK	1
140	22493	PIN	STOPPINNE	1
150	14771	SCREW RXK-H ST 4,2X9,5 FZB	SKRUV RXK-H ST 4,2X9,5 FZB	1
160	22150	BRAKE DEVICE	BROMSARM	1
170	22063	SLEEVE	RÖRHYLSA	2
180	14337	SCREW MRX-H M4x25 A2 70	SKRUV MRX-H M4x25 A2 70	2
190	14754	SCREW RX-TP 6-19X20 FZB	SKRUV RX-PT 6-19X20 FZB	1
200	22045	CAM KNOB	KAMNOCK	1
210	10450	SEAL WASHER BAUD2SL 25X35X7	TÄTNINGSRING BAUD2SL 25X35X7	1
220	22450	TOP COVER B-CROMPT H50, VCB	TOPPLATTA B-CROMPT H50 VCB-61/	1
230	22043	BUFFER	BUFFERT	3
240	14084	LOCK WASHER FBB 4.1 A2	BRICKA FJÄDER FBB 4.1 A2	3
250	15381	CABLE RET PR 22.5 DIA 15 METAL	DRAGAVLASTARE PR22,5 DIA 15 MET	1
260	22161	SUPPLY CORD 3 PHASE	ANSLUTNINGSKABEL 3 FAS	1
270	15384	FUSE T100MA	SÄKRING T100MA	1
280	15385	FUSE HOLDER	SÄKRINGSHÅLLARE	1
290	10373	PRE LOAD WASHER 46X38X0,4	BRICKA VÅG 46X38X0,4	1
300	10420	BALL BEARING 6005-2RS1	KULLAGER 6005-2RS1	1
310	15457	MOTOR 220-240 3 50/60 1500/900	MOTOR 220-240 3 50/60 1500/900	1
311	15458	MOTOR 380-415 3 50/60 1500/900	MOTOR 380-415 3 50/60 1500/900	1
320	10255	BALL BEARING 6203-2RS	KULLAGER 6203-2RS	1
330	22202	MOTOR SHIELD B-CROMPT H50	MOTORGAVEL B-CROMPT H50	1
340	22457	DRAW SPRING	FJÄDER, DRAG	1
350	14085	LOCK WASHER FBB 5,1 A2	BRICKA FJÄDER FBB 5.1 A2	8
360	22143	SCREW, MOTOR M5X192	SKRUV, MOTOR M5X192	4
370	22136	MACHINE HOUSING COMPL.	MASKINHUS KOMPL.	1
380	22138	PROTECTION PLATE	BOTTENPLÅT	1
390	22142	SCREW, HOUSING M5X197	SKRUV, CHASSI M5X201	4
400	14004	NUT M6M M4 A2 70	MUTTER M6M M4 A2 70	4
410	10494	RUBBER FOOT F-107 B	FOT,GUMMI M RFR BRICKA F-107 B	4
420	14424	SCREW LSKS M4X12 A2 70	SKRUV LSKS M4x12 A2 70	4
440	22446	PLUG, RUBBER	PROPP, GUMMI	1
450	22520	LID	LOCK KPL VCS 61/62	1
460	22438	SEAL, LID	TÄTNING, LOCK	1
490	22512	STANDARD KNIFE FOR BOWL 6L	STANDARDKNIV FÖR KÄRL 6 L. (er	1
500	22453	BOWL 6L	KÄRL, VCS-6*, KOMPLETT 6L	1
510	22455	ROTARY STOP	VRIDSTOPP	1
520	14603	SCREW FS SPEC M4X17	SKRUV FS SPEC M4X17	2
600	22060	KNIFE HEAD	KNIVHUVUD MED BYGEL	1
620	22067	SPACER, KNIFE	DISTANS, KNIV	1
640	22530	KNIFE SET SERRATED(OVER/UNDER)	KNIVSATS-TANDAD, ÖVER/UNDER	1
670	14154	SCREW MFS M5X35	SKRUV MFS M5x35 A2 70	4

**Drawing: Vertical Cutter Mixer VCS-61 and VCS-62**



A: LOCTITE NO.243

B: SILICONE RTV 108 ALL THE WAY AROUND HOUSING