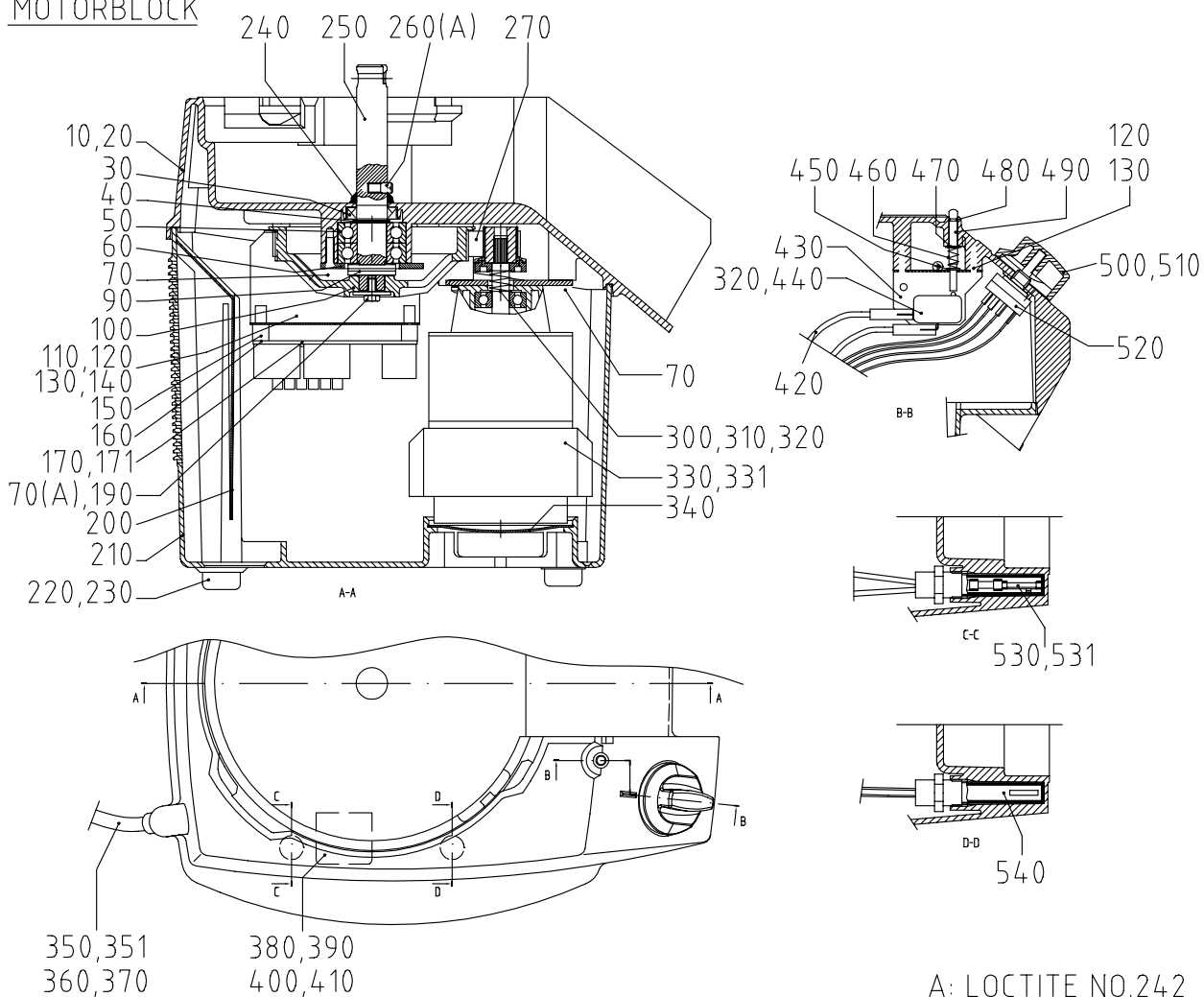


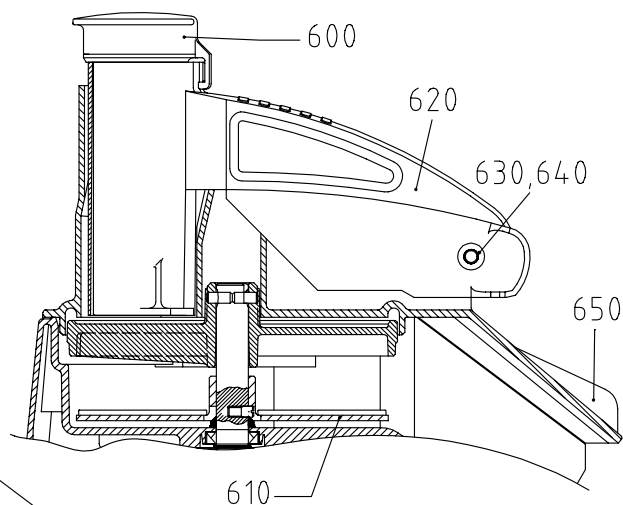
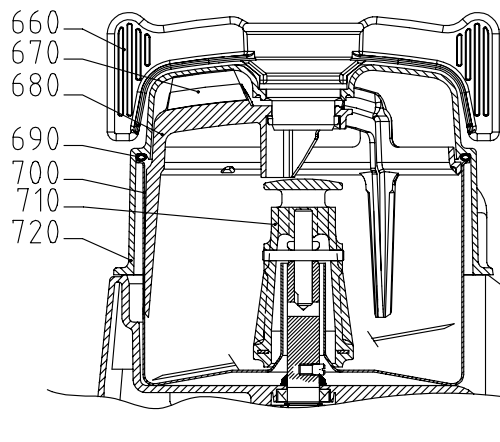
CC-34

MOTOR BASE MOTORBLOCK



CUTTER/MIXER BOWL ATTACHMENT SNABBHACKS-TILLSATS

VEGETABLE PREPARATION ATTACHMENT GRÖNSAKSSKÄRAR-TILLSATS



Parts Halde Combi Cutter, CC-34

No. - see drawing	Item No.	ENGLISH Spare Part	SVENSKA Reservdel	Incl. Pcs
-------------------	----------	-----------------------	----------------------	-----------

When ordering spare parts for your Halde machine always state machine voltage and serial no.

10	24159	HOUSING, TOP	MASKINHUS, ÖVERDEL	1
20	14247	SCREW MKFX-H M5X16 A2-70	SKRUV MKFX-H M5X16 A2-70	4
30	10583	SEAL RING BASL FX7 NBR 18X30X7	TÄTN.RING BASL FX7 NBR 18X30X7	1
40	10258	LOCK RING 17	LÅSRING 17	1
50	10255	BALL BEARING 6203-2RS	KULLAGER 6203-2RS	2
60	24149	COVER, BEARING	LAGERLOCK	1
70	14850	SCREW FRH-TAPTITE M5X12 TORX	SKRUV FRH-TAPTITE M5X12 TORX	8
90	14907	PIN FRP 6x28 STEEL	PINNE FRP 6x28 STÅL	1
100	24154	PULLEY,KNIFE SHAFT	REMHJUL,KNIVAXEL	1
110	24161	EL.-PLATE	EL-PLÅT	1
120	14332	SCREW MRX 4X10 A2 70	SKRUV MRX-H M4x10 A2 70	8
130	14084	LOCK WASHER FBB 4.1 A2	BRICKA FJÄDER FBB 4.1 A2	2
140	24193	CABLE AWG16 G/Y L=100 FL+RING	KABEL AWG16 G/G L=100 FL+RING	1
150	10588	STAND OFF EG-6-01	DISTANS, KORT EG-6-01	5
160	14730	SCREW RXKH 4.2X16 A2	SKRUV RXKH 4.2X16 A2	5
170	24180	PC-BOARD CC-34 120V 60HZ	STYRKORT CC-34 120V 60HZ	1
171	24181	PC-BOARD CC-34 220-240,50/60	STYRKORT CC-34 220-240,50/60	1
190	14079	WASHER BRB 5,3X25X1,5 A2	BRICKA BRB 5,3X25X1,5 A2	1
200	24176	PROTECTION PLATE FOR LOUVER	STÄNKPLÅT	1
210	24160	HOUSING, BASE	MASKINHUS, UNDERDEL	1
220	10494	RUBBER FOOT F-107 B	FOT,GUMMI M RFR BRICKA F-107 B	4
230	14333	SCREW MRX 4X12 A2 70	SKRUV MRX-H M4X12 A2 70	4
240	10262	SEAL RING V-18S	TÄTNINGSRING V-18S	1
250	24158	KNIFE SHAFT	KNIVAXEL	1
260	24146	PIN, KNIFE SHAFT	MEDBRINGARSTIFT, KNIVAXEL	1
270	10582	BELT GT 3MR 0390 15	KUGGREM GT 3MR 0390 15	1
300	23162	BRACKET FOR CHOKE	DROSSELFÄSTE	1
310	23176	CHOKE COMPL.	DROSSEL KOMPL.	1
320	14613	SCREW RTK ST2.9x16 A2 70	SKRUV RTK ST2.9x16 A2 70	3
330	24126	MOTOR UNIT 110-120 1 50/60	MOTORENHET 110-120 1 50/60	1
331	24127	MOTOR UNIT 220-240 1 50/60	MOTORENHET 220-240 1 50/60	1
340	24139	NET, AIR INLET	NÄT, INSUG	1
350	24211	SUPPLY CORD CC-34 120V US	SLADDSTÄLL CC-34 120V US	1
351	24210	SUPPLY CORD CC-34 230V CE*	SLADDSTÄLL CC-34 230V CE*	1
360	10589	STRAIN RELIEF CLAMP 55-016-89	DRAGAVL.KLÄMMA 55-016-89	1
370	14337	SCREW MRX-H M4X25 A2 70	SKRUV MRX-H M4x25 A2 70	2
380	15559	EMC-P.L.FILTER FN2020-10-06	EMC-FILTER FN2020-10-06	1
390	14639	SCREW RTK ST4.2x9.5 FZB	SKRUV RTK ST4.2x9.5 FZB	2
400	40624	CABLE AWG16 L=300 BLUE	KABEL AWG 16L=300 BLÅ	1
410	24195	CABLE AWG16 L=300 BRN FL6.3X2	KABEL AWG16 L=300 BRUN FL6,3X2	1
420	24196	CABLE AWG18 L=200 RED FL6.3X2	KABEL AWG18 L=200 RÖD FL6,3X2	2
430	24162	BRACKET,SAFETY SWITCH	FÄSTPLÅT,MIKROBRYT.	1
440	15481	MICRO SWITCH BVMF ULS	MICROBRYTARE BVMF ULS	1
450	10275	LOCKING WASHER RS 4	SPÄRRYTTARE RS 4	1
460	10581	SPRING SF-TRF 0,6X5X20	FJÄDER SF-TFR 0,6X5X20	1
470	14063	WASHER BRB 4.3x9x0.8 A2	BRICKA BRB 4.3x9x0.8 A2	1
480	10580	O-RING 3X1	O-RING 3X1	1
490	24163	ACTIVATOR PIN,SAFETY SWITCH	TRYCKSTÄNG,MIKROBRYT.	1
500	24152	KNOB,SPEED CONTROL CC-34	VRED, HASTIGHET CC-34	1
510	24138	BLADE SPRING FOR KNOB	BLADFJÄDER, VRED	1
520	24167	ROTARY SWITCH W WIRING/UL94,CE	STRÖMSTÄLL. INKL.KABEL/UL94,CE	1
530	24174	MAGNETIC SWITCH,SAFETY UL	MAGNETBRYTARE,SÄKERHET UL	1
531	24173	MAGNETIC SWITCH,SAFETY	MAGNETBRYTARE,SÄKERHET	1
540	24175	MAGNETIC SWITCH,SPEED-CONTROL	MAGNETBRYTARE,HASTIGHET	1
600	24157	PUSHER HALLDE	STÖT HÄLLDE	1
610	83032	EJECTOR PLATE	UTMATARSKIVA	1
620	24141	FEED PLATE CC-34	MATARPLÅTTA CC-34	1
630	24177	SHAFT CC-34	AXEL CC-34	1
640	10593	LOCK WASHER RS7 A2	SPÄRRYTTARE RS7 A2	2
650	24166	FEED INSERT W. MAGNET	MATARINSATS INKL. MAGNET	1
660	24134	SCRAPER HANDLE	AVSKRAPARE, HANDTAG	1
670	24132	SCRAPER BLADE	TORKARBLAD, AVSKRAPARE	3
680	24135	SCRAPER RING	AVSKRAPARE, RING	1
690	24133	SEAL RING DIA.6	TÄTNINGSRING DIA.6	1
700	24151	BOWL, CC-34	KÄRL, CC-34	1
710	24153	KNIFE HEAD CC-34	KNIVHUVUD, CC-34	1
720	24172	COVER,CC-34 COMPL.	LOCK,CC-34 KOMPL.	1

* Damaged supply cord has to be replaced by cable type: 437U H05RN-F, 3x1.5 mm², 2.4 m

* Skadad kabel måste ersättas med kabeltyp: 437U H05RN-F, 3x1.5 mm², 2.4 m