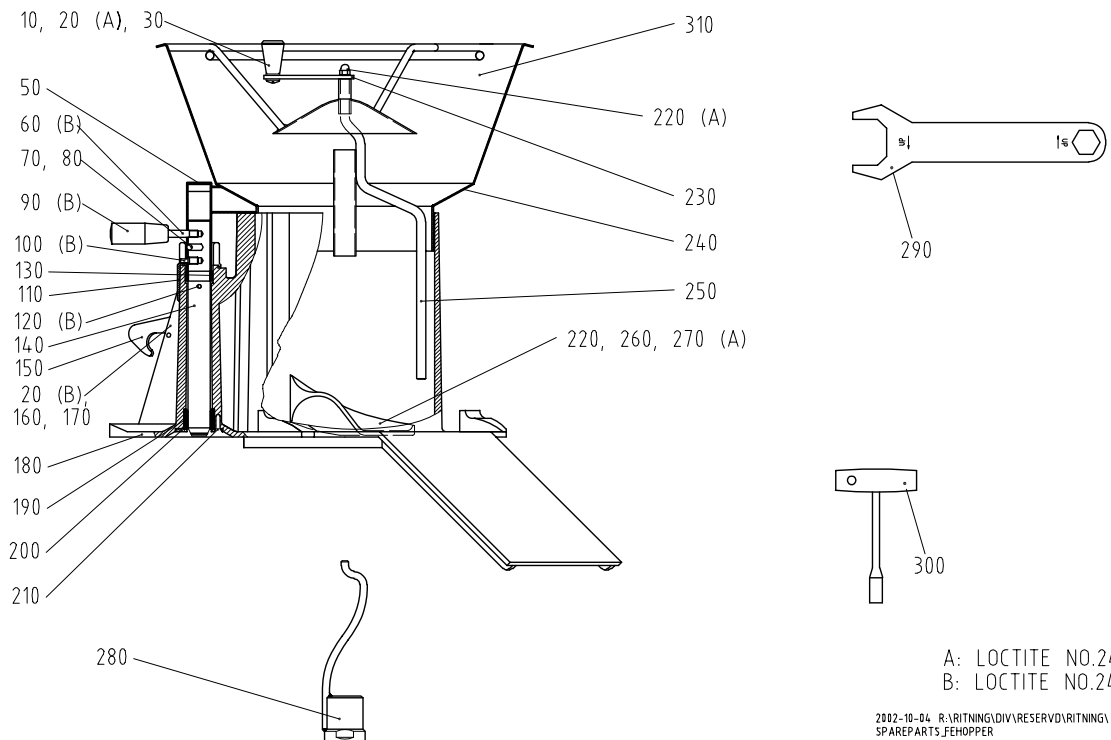


RG-400 Vegetable Preparation Machine – Feed Hopper

No. on drawing	Item No.	Spare Part	Reservdel	Incl.Pcs
10	3280	KNOB	KNOPP	1
20	14464	SCREW LSXS M6X16	SKRUV LSXS M6X16	2
30	3281	PLASTIC WASHER 18-6-2	BRICKA PLAST 18-6-2	2
50	10345	PLUG GL 28 BLACK	TÄCKPROPP GL 28 svart	1
60	3149	STUD SCREW	PINNSKRUV	1
70	10454	BALL RB-6,35, STAINLESS STEEL	KULA RB-6,35 ROSTFRI	1
80	10453	SPRING 1X5X17	TRYCKFJÄDER 1x5x17	1
90	10343	HANDLE I280/65-M8	HANDTAG I280/65-M8	1
100	3131	BAYONET PIN	TAPP BAJONETT	1
110	3253	BAYONET SLEEVE	BAJONETTHYLSA	1
120	14243	SCREW MKFS M5X10	SKRUV MKFS M5X10 RF	2
130	3266	BUSHING	BUSSNING	1
140 1)	33319	SHAFT M99	AXEL M99	1
	3094	SHAFT	AXEL,TRATT -MÅNGHÅLSINS	1
150	3234	LOCKING CLUTCH FOR FEED CYL.	LÅSHAKE TILL MATARCYLINDER	1
160	3281	PLASTIC WASHER 18-6-2	BRICKA PLAST 18-6-2	1
170	10436	PLASTIC WASHER 05-6-15-3	BRICKA PLAST 05-6-15-3	1
180	33307	FEED CYLINDER FOR HOPPER	MATARCYLINDER TRATTMATARE	1
190	3076	BUSHING 25/34	BUSSNING MATARINSATS 25/34	1
200	3068	BUSHING COVER	BUSSNINGSHÅLLARE	1
210	14682	SCREW KFSS ST4,8X13	SKRUV KFSS ST4,8X13	3
220	14026	DOMED HEAD NUT MHM M6	MUTTER HATT MHM M6	5
230	3247	CRANK FOR HOPPER	OMRÖRARARM	1
240	3161	HOPPER INSERT	TRATTINSATS	1
250	3246	STIRRER FOR HOPPER	OMRÖRARE	1
260	3232	GUIDE	MATARBÅS (KORT)	2
270	14864	STUD SCREW PSH M6X25	SKRUV PINN PSH M6X25	4
280	3249	AGITATOR DEVICE COMPL.	SKRUVKAPSEL KOMPL.	1
290	3162	WRENCH	NYCKEL TILL KÅLSKRUV	1
300	10521	SOCKET WRENCH NV10	HYLSNYCKEL NV10	1
310	33328	HOPPER INSERT, COMPLETE	TRATTINSATS KOMPLETT	1

1) For machines bought before 1999 use Item no. 3094.

Drawing: Vegetable Preparation Machine RG-400 Feed Hopper



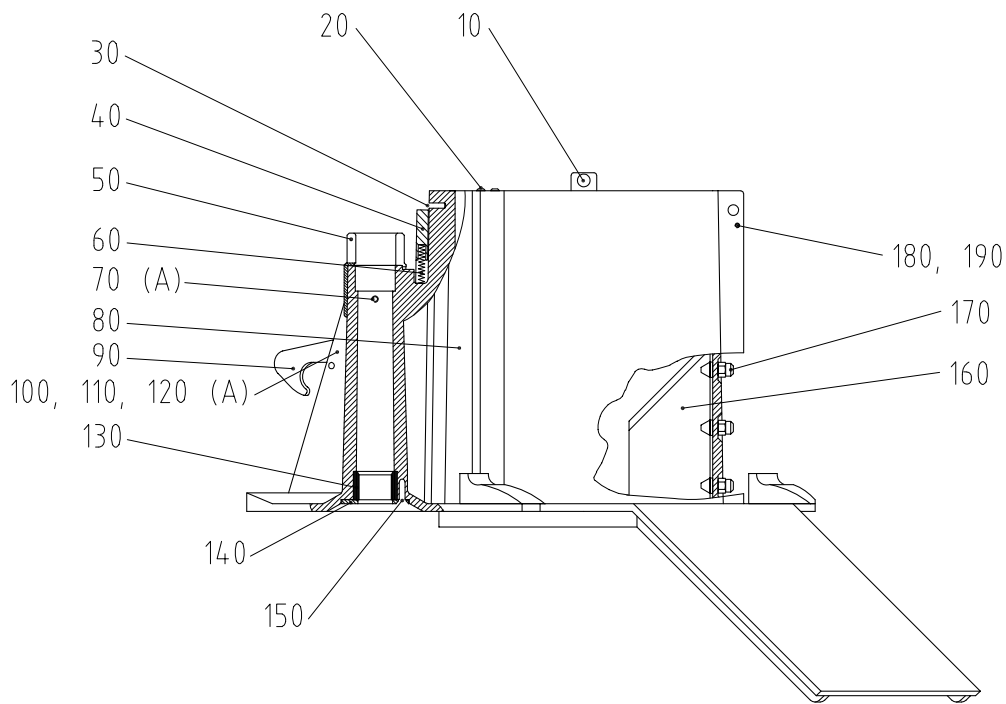
A: LOCTITE NO.242
B: LOCTITE NO.243

2802-10-04 R:\RITNING\DIV\RESERV\RITNING\SPAREPARTS.FEHOPPER

RG-400 Vegetable Preparation Machine
– Feed Cylinder for Push Feed Attachment and 4-tube Attachment

No. on drawing	Item No.	Spare Part	Reservdel	Incl.Pcs
10	33305	SLIDE KNOB DIA. 10X4	GLIDKUTS DIA. 10X3,75	1
20	10331	RIVET, PLASTIC 93-4 BLACK	PLASTNIT SVART 93-4 SVART	2
30	14714	SCREW CSS ST3,5X9,5	SKRUV CSS ST3,5X9,5	1
40	3085	STOPPER, 4-TUBE/PUSH FEED ATT	STOPPKLACK MATARINSATS	1
50	3253	BAYONET SLEEVE	BAJONETTHYLSA	1
60	10334	SPRING ST-TFR 0,5X4X35	FJÄDER ST-TFR 0,5X4X35	1
70	14243	SCREW MKFS M5X10	SKRUV MKFS M5X10 RF	2
80	33306	FEED CYLINDER	MATARCYLINDER, MANUELL M.	1
90	3234	LOCKING CLUTCH FOR FEED CYL.	LÅSHAKE TILL MATARCYLINDER	1
100	3281	PLASTIC WASHER 18-6-2	BRICKA PLAST 18-6-2	1
110	10436	PLASTIC WASHER 05-6-15-3	BRICKA PLAST 05-6-15-3	1
120	14464	SCREW LSKS M6X16	SKRUV LSKS M6X16	1
130	3076	BUSHING 25/34	BUSSNING MATARINSATS 25/34	1
140	3068	BUSHING COVER	BUSSNINGSHÅLLARE	1
150	14682	SCREW KFSS ST4,8X13	SKRUV KFSS ST4,8X13	3
160	3134	KNIFE	KNIV MATARINSATS	3
170	3233	DOMED HEAD NUT M5	MUTTER M5 TILL KNIV	9
180	14326	SCREW MCS M4X16	SKRUV MCS M4X16	1
190	14004	NUT M6M M4 A2 70	MUTTER M6M M4 A2 70	1

Drawing: Feed Cylinder for Push Feed Attachment and 4-tube Attachment



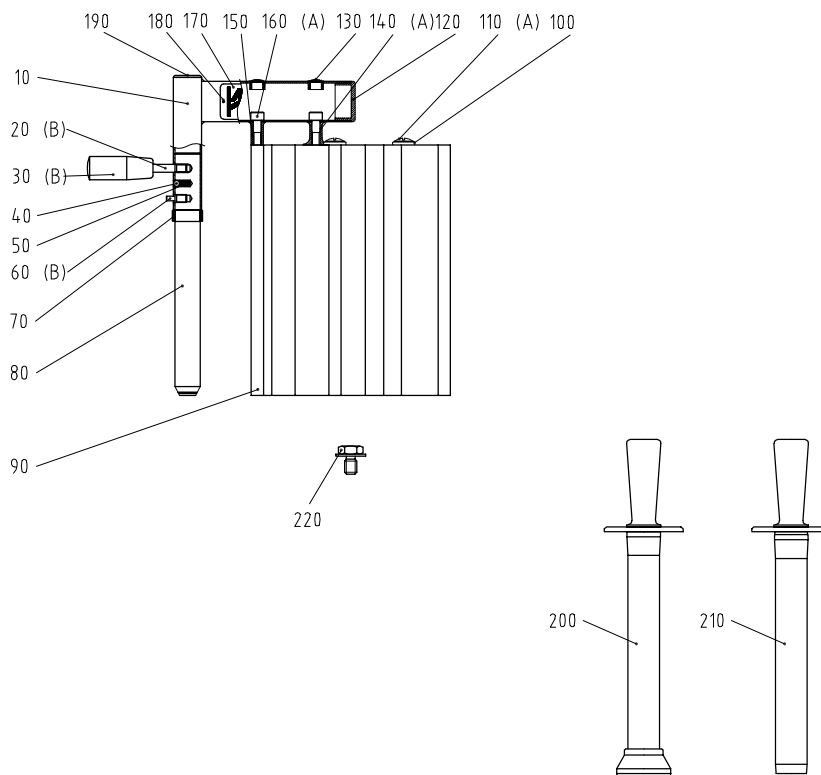
A: LOCTITE NO.243

RG-400 Vegetable Preparation Machine – 4-tube Attachment

No. on drawing	Item No.	Spare Part	Reservdel	Incl.Pcs
10	3254	STAND	ARM	1
20	3149	STUD SCREW	PINNSKRUV	1
30	10343	HANDLE I280/65-M8	HANDTAG I280/65-M8	1
40	10454	BALL RB-6,35, STAINLESS STEEL	KULA RB-6,35 ROSTFRI	1
50	10453	SPRING 1X5X17	TRYCKFJÄDER 1x5x17	1
60	3131	BAYONET PIN	TAPP BAJONETT	1
70*	3266	BUSHING	BUSSNING	1
80* 1	33319	SHAFT M99	AXEL M99	1
	3094	SHAFT	AXEL,TRATT -MÅNGHÅLSINS	1
90	3123	4-TUBE INSERT INCL. STAND	4-HÅLSPROFIL INKL. PLUGGAR	1
100	3251	WASHER	BRICKA	2
110	14484	SCREW LSXS M8X16	SKRUV LSXS M8X16	2
120	10329	PLUG IR20/40/1,5 S	ÄNDAVSLUTNING IR20/40/1,5 S	1
130	10455	PLUG IKPT 1715S	TÄCKPROPP IKPT 1715S	2
140	3256	SPACER 25	DISTANS 25	1
150	3255	SPACER 16	DISTANS 16	1
160	14395	SCREW MC6S M8X40	SKRUV MC6S M8X40	2
170	3279	SIGN WARNING	SKYLT VARNING	1
180	14881	RIVET KDS 2X4,5	DRIVNIT KDS 2X4,5	2
190	10345	PLUG GL 28 BLACK	TÄCKPROPP GL 28 svart	1
200	3139	PESTLE DIA. 55	STÖT DIA. 55	1
210	3138	PESTLE DIA. 31	STÖT DIA. 31	1
220	3204	LOCKING BOLT TR12V	LÅSBULT TR12V KORT KOMPL.	1
*70-80	33354	SHAFT W. BUSHING M99	AXEL M. BUSSN, TRATT, 4-H M99	1

1) For machines bought before 1999 use Item No. 3094

Drawing: Vegetable Preparation Machine RG-400 4-tube Attachment



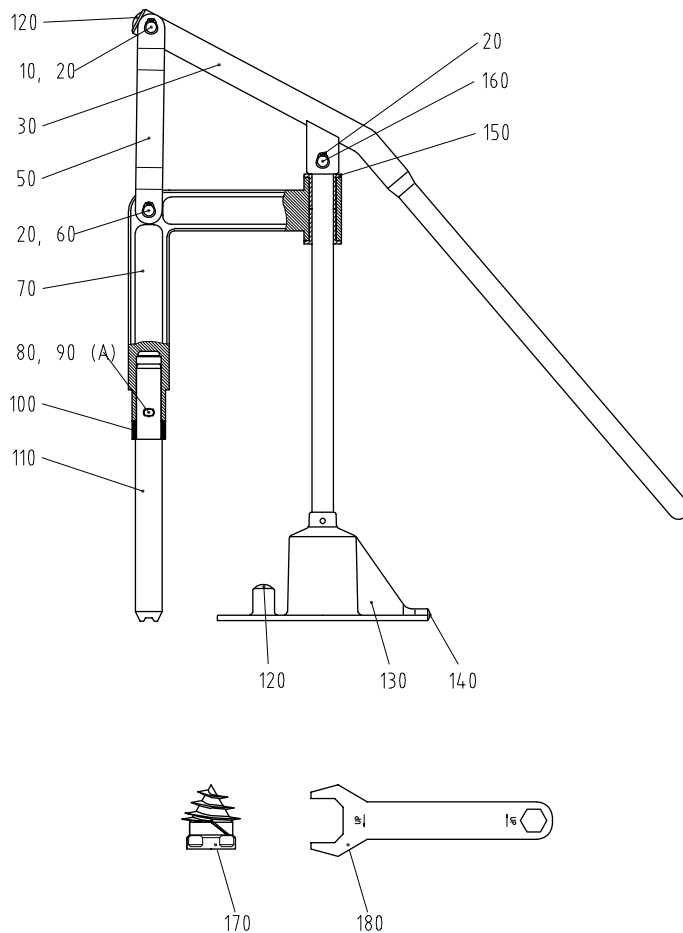
A: LOCTITE NO.242
B: LOCTITE NO.243

RG-400 Vegetable Preparation Machine – Push Feeder Manual

No. on drawing	Item No.	Spare Part	Reservdel	Incl.Pcs
10	3298	PIVOT L=38	LAGERTAPP L=38	1
20	10335	LOCK RING SGA 10, STAINL.STEEL	LÅSRING SGA 10 ROSTFRI	6
30	3067	LEVER	HÄVARM	1
50	3066	LINK	LÄNK	1
60	3297	PIVOT L=51	LAGERTAPP L=51	1
70	3119	STAND	STATIV	1
80	3212	PIN FOR STAND L=28	TAPP STATIVARM L=28	1
90	14149	SCREW MFS M5X16	SKRUV MFS M5X16	1
100	3077	BUSHING 23/31	BUSSNING MATARINSATS 23/31	1
110 1)	33318	SHAFT STAND M99	AXEL STATIV M99	1
	3064	SHAFT,STAND	AXEL STATIV	
120	10452	PLUG SFL 14	TÄCKPROPP SFL 14	1
130	3116 1	FEED CYLINDER INCL. SHAFT	MATARPLATTA INKL. AXEL	1
140	3257	GUIDE KNOB	GLIDKUTS MATARKOLV	3
150	3095	BUSHING FOR STAND	BUSSNING STATIV	2
160	3299	PIVOT L=34	LAGERTAPP L=34	1
170	3129	DECORDING DEVICE 3PH COMPL.	KÅLSKRUV 3-FAS KOMPL.	1
180	3162	WRENCH	NYCKEL TILL KÅLSKRUV	1

1) For machines bought before 1999 use Item No. 3064

Drawing: Vegetable Preparation Machine RG-400 Push Feeder Manual

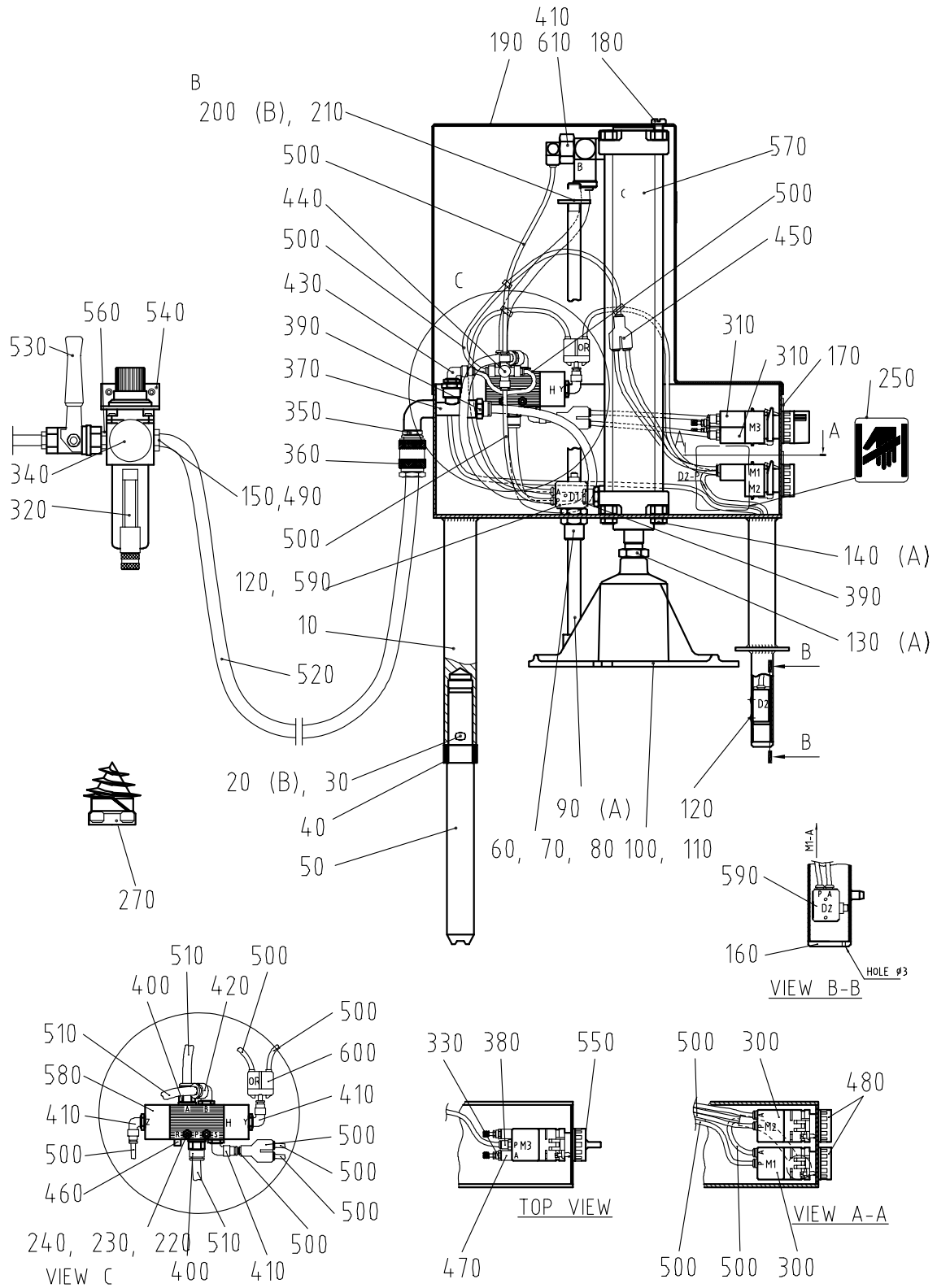


A: LOCTITE NO.243

RG-400 Vegetable Preparation Machine – Push Feeder Pneumatic

No. on drawing	Item No.	Spare Part	Reservdel	Incl.Pcs
10	3098	STAND	STATIVARM	1
20	3212	PIN FOR STAND L=28	TAPP STATIVARM L=28	1
30	14149	SCREW MFS M5X16	SKRUV MFS M5X16	1
40	3077	BUSHING 23/31	BUSSNING MATARINSATS 23/31	1
50	33318	SHAFT STAND M99	AXEL STATIV M99	1
60	3106	BEARING HOLDER	LAGERHUS	1
70	10348	BUSHING PM12/14X15DX	BUSSNING PM12/14X15DX	2
80	3101	NUT M18	MUTTER M18	1
90	3080	OPERATION ROD	MANÖVERSTÅNG	1
100	33378	PISTON, HD	MATARKOLV, HD	1
110	3257	GUIDE KNOB	GLIDKUTS MATARKOLV	3
120	14224	SCREW MKFS M4X12	SKRUV MKFS M4X12	4
130	3295	NUT M16X1,5 LOW	MUTTER M16X1,5 LÅG	1
140	14542	SCREW M6S M8X16H A2 70	SKRUV M6S M8x16H A2 70	4
150	10232	HOSE CLAMP 8-14	SLANGKLAMMER 8-14	1
160	10329	PLUG IR20/40/1,5 S	ÄNDAVSLUTNING IR20/40/1,5 S	1
170	10367	SIGN 1-3-2	SKYLTY ZBY0101 (1 3 2)	1
180	14374	SCREW MCS M8X20 A2 70	SKRUV MCS M8x20 A2 70	1
190	3099	CAP	KÅPA	1
200	14012	NUT M6M M12	MUTTER M6M M12	1
210	3105	THRUST WASHER	TRYCKBRICKA	1
220	14230	SCREW MKFS M4X30	SKRUV MKFS M4X30	2
230	14004	NUT M6M M4 A2 70	MUTTER M6M M4 A2 70	3
240	14084	LOCK WASHER FBB 4.1 A2	BRICKA FJÄDER FBB 4.1 A2	2
250	40656	SIGN WARNING	SKYLTY VARNING HAND REKTANGEL	1
270	3129	DECORING DEVICE 3PH COMPL.	KÅLSKRUV 3-FAS KOMPL.	1
300	10109	VALVE 234-000	VENTIL 234 000	2
310	10354	VALVE 245 000	VENTIL 245-000	2
320	10355	REGULATOR C-1104-D00-1/4	FILTERREGULATOR C-104-D00-1/4	1
330	10356	VALVE REDUSER MCO-702-M5	STRYPVENTIL MCO-702-M5	2
340	10282	PRESS.GAUGE M043 P12 1/8 40 MM	MANOMETER M043 P12 1/8 40 MM	1
350	10112	ADAPTOR 5180 1/4	SNABBKOPPLINGSNIPPEL 5180 1/4	1
360	10357	QUICK CONNECTOR 5084-10/8	SNABBKOPPLING 5084-10/8	1
370	10120	TEE 2070-1/4	T-NIPPEL 2070-1/4	1
380	10358	COUPLING 6512-4-M5	RAK KOPPLING 6512-4-M5	2
390	10095	COUPLING 6510-8-1/4	RAK KOPPLING 6510-8-1/4	2
400	10359	COUPLING 6510-8-1/8	RAK KOPPLING 6510-8-1/8	2
410	10117	ELBOW COUPLING 6520-4-1/8	VINKELKOPPLING 6520-4-1/8	4
420	10360	ELBOW COUPLING 6520-8-1/8	VINKELKOPPLING 6520-8-1/8	1
430	10361	ELBOW COUPLING 6520-4-1/4	VINKELKOPPLING 6520-4-1/4	1
440	10119	CROSS COUPLING 6600-4	KORSKOPPLING 6600-4	1
450	10362	COUPLING Y 6560-4	Y-SKARV 6560-4	2
460	10363	SILENCER 2991-1/8	LJUDDÄMPARE 2991-1/8	1
470	10364	SILENCER 2905-M5	LJUDDÄMPARE 2905-M5	2
480	10492	PUSH BUTTON 200-895 START/STOP	TRYCKKNAPP 200-895 START/STOP	2
490	10366	HOSE NIPPLE 2601-9-1/4	SLANGNIPPEL 2601-9-1/4	1
500	10234	NYLON PIPE PA12 4-2,7	SLANG PA12 4-2,7	1
510	10235	NYLON PIPE PUR-8/5,7 BLUE	SLANG PUR-8/5,7 BLÅ	1
520	10368	HOSE PV10/8 BLUE	SLANG PV10/8 BLÅ	1
530	10289	VALVE 5110 1/4 INCOMING AIR	VENTIL AVSTÄNGNING 5110 1/4	1
540	10387	BRACKET FOR C-114-ST	FÄSTVINKEL FÖR REG C-114-ST	1
550	10493	TWIST KNOB 200-870 SPEED CONTR	VRED 200-870 HASTIGHETSKONTROL	1
560	10104	HEX ADAPTER 1/4 MALE THREAD	NIPPEL 1/4 UTV GÄNGA	1
570	10490	CYL. 41S-2R-050-0250-V, COMPL.	CYLINDER 41S-2R-050-0250-V, KO	1
570	33311	GASKET KIT FOR CYL.41S	PACKNINGSSATS FÖR CYL.41S-50	1
580	10352	VALVE 358-033-1/8	VENTIL 358-033-1/8	1
590	10108	VALVE 234-945	VENTIL GRÄNSLÄGE 234-945	2
600	10353	VALVE OR 81540 001	VENTIL OR 81540 001	1
610	10240	VALVE 7880-08-13	BLOCKERINGSVENTIL 7880-08-13,	1

Drawing: Vegetable Preparation Machine RG-400 Push Feeder Pneumatic



THREAD LOCKING COMPOUND: LOCTITE 577 A: LOCTITE NO.242
 B: LOCTITE NO.243